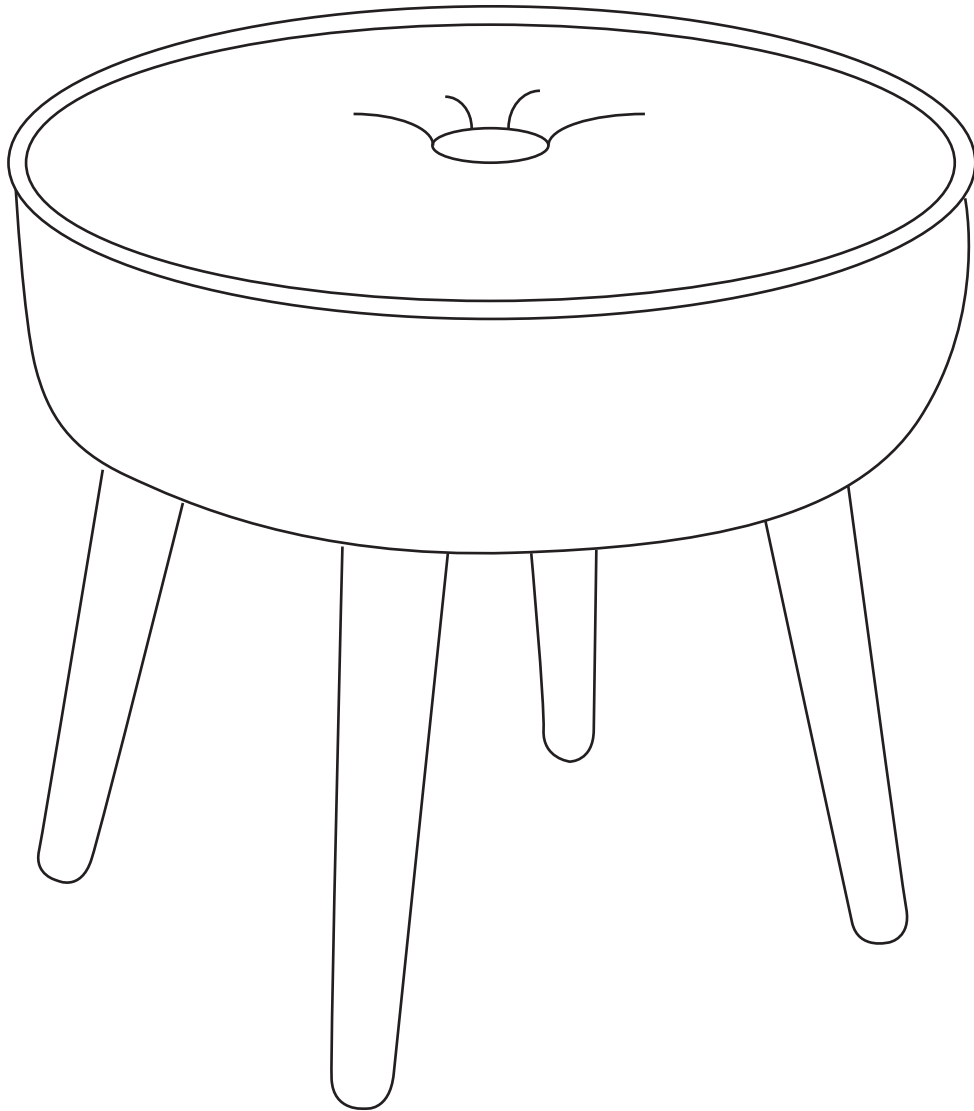




LivingEssentials
Corp.



Alannah Ottoman Stool - Pink
SKU# OSFPK0115
Assembly Instructions



LivingEssentials
Corp.

***For faster service:
Please contact Living Essentials
Regarding any defective product(s) / Part(s).***

***Our Customer Service Representative will assist you
through the process of obtaining replacement part(s) .***

***Visit our website and fill out the Parts & Service Form,
Give us a call, or email us for replacement parts at:***

1-888-818-8789
rma@livingess.com

LIVING ESSENTIALS
1040 Walnut Ave.
Pomona, CA 91766
Attention: Customer Service Department

Limited Warranty

LIVING ESSENTIALS' products are warranted to be free from defects in material and workmanship for a period of ONE YEAR: One-year warranty from date of original purchase by consumer. If you believe your product is defective, please call, write, or e-mail our customer service department.

Should your product be defective, LIVING ESSENTIALS will help in issuing replacement parts. Whether you call or write, please have your model number and reference number located on the original packaging ready for our customer service team. You will be asked to tell us what product you have, along with the date of purchase and the way you believe the product is defective. For any parts request, it must include images of the defective part/s. Please do not ship your product back to us unless we specifically request you to do so. If it is necessary for your product to be returned, all returns or exchanges must be made through the original store of purchase. Proof of purchase must accompany the returned product. LIVING ESSENTIALS is not responsible for any store policies for returns or exchanges.

Note: This Warranty does NOT apply to any wear and tear. All replacement parts will be shipped standard ground service. NO EXPEDITED Service available (for example; next day air, 2 day air service, 3 day air), there will NOT be any exceptions.

LIVING ESSENTIALS is not responsible for any consequential damages, which may arise out of the purchase, or use of any of our product/s. LIVING ESSENTIALS is not responsible for any personal injury, or property/equipment damage from the use of such product/s. LIVING ESSENTIALS' liability for any breach of warranty shall be limited to replacement of the defective parts as described above.

Important: Some states do not allow the exclusions or limitations so the above limitations or exclusions may not apply to you.

Copyright by: LIVING ESSENTIALS and its affiliates

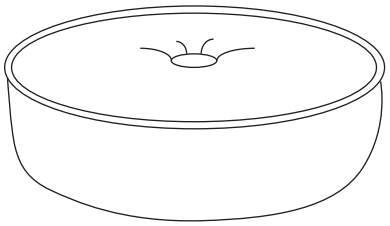


Instructions / Instrucciones / Moded' emploi

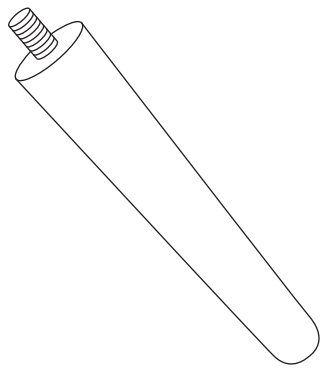
**Alannah Ottoman Stool - Cream
SKU# OSFPK0115**

.Do not tighten bolts completely until the product is fully assembled.
.Por favor apretarlos tornillos hasta que haya ensamblado el producto completamente.

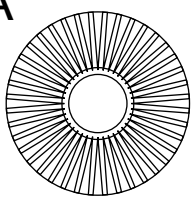
#1 x 1pc



#2 x 4pc

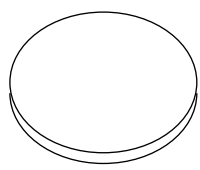


A



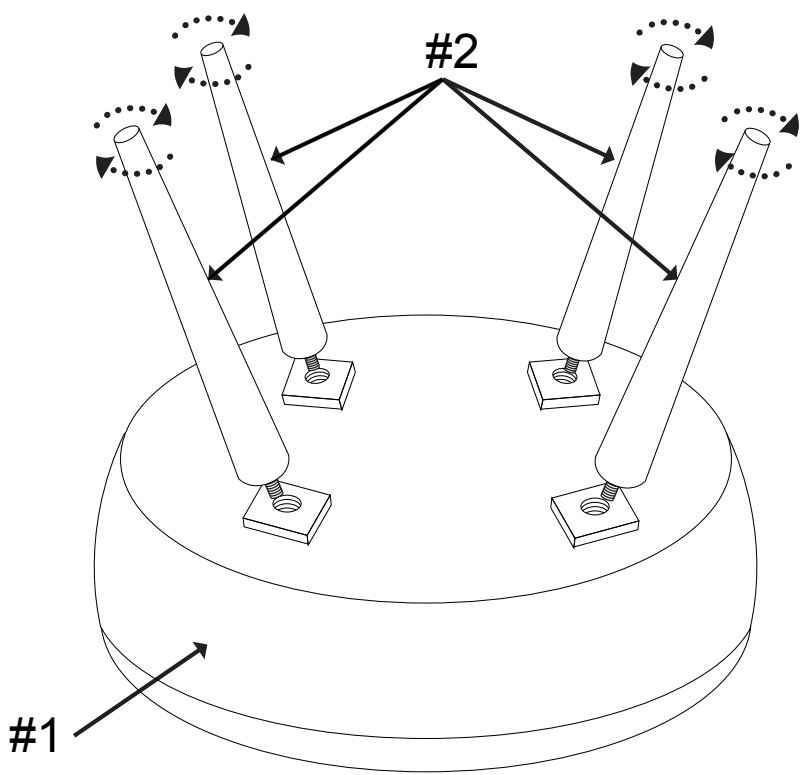
x 2 pcs (45mm)
(Extra Parts)
This piece to be used if leveling is needed.

B

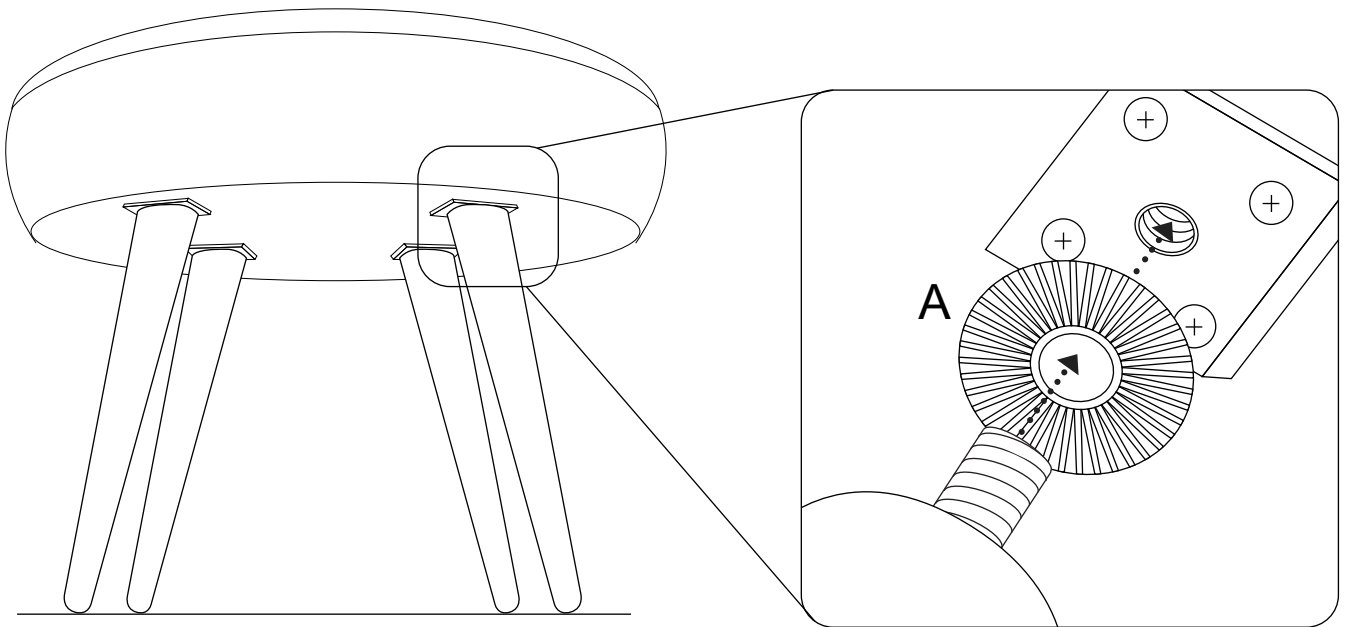
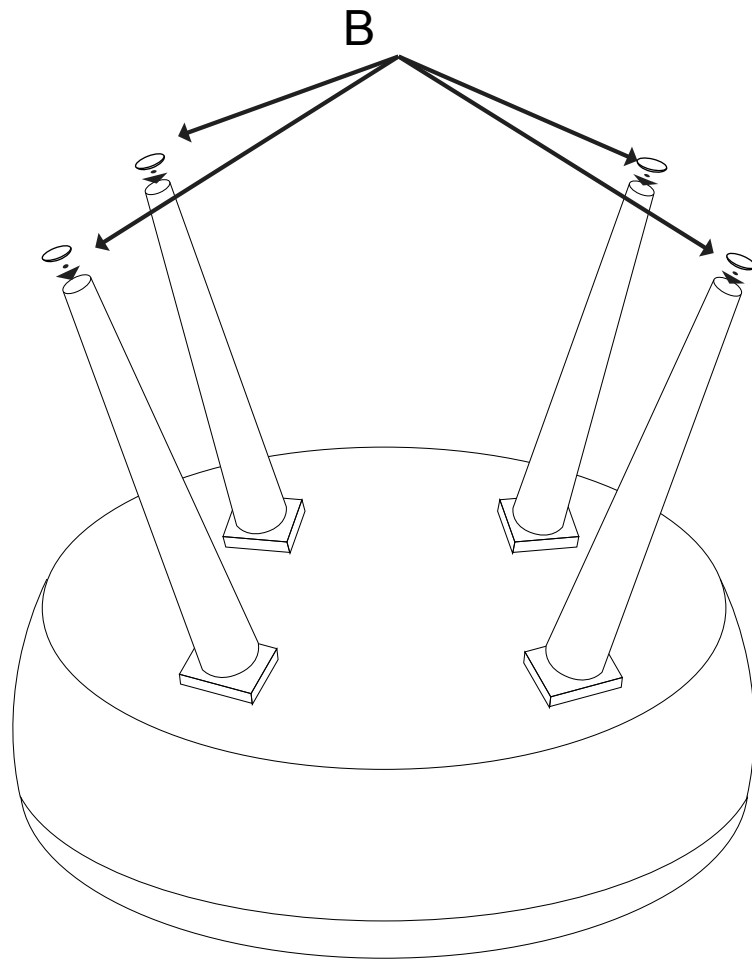
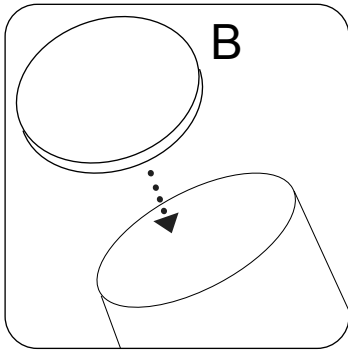


x 4 pcs (20mm)

1



2



NOTE:
if the ottoman is not leveled, please use part A on the leg that needs to be adjusted as shown on the image above.