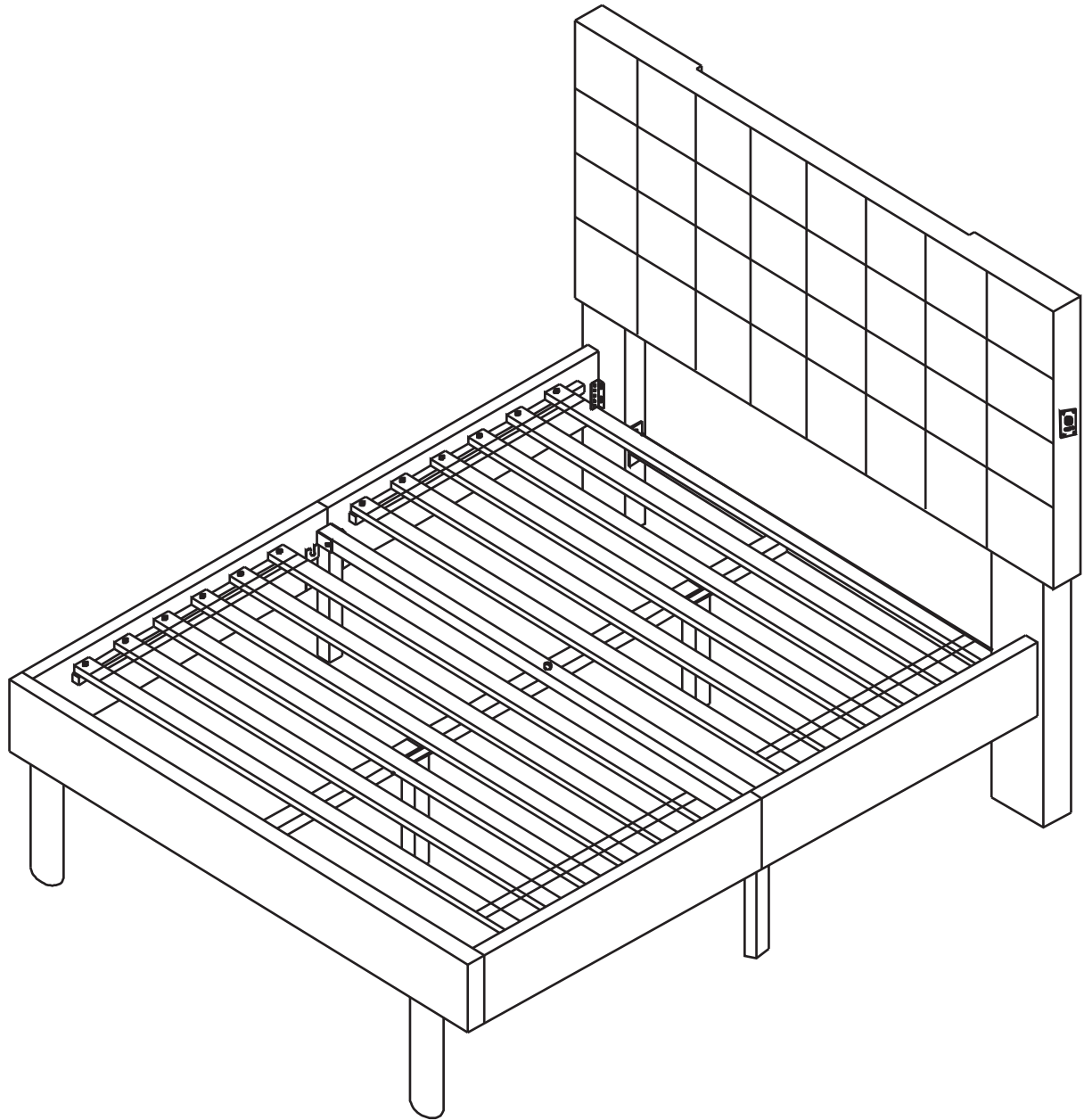




Living Essentials
Furniture



**Madison Tufted Upholstered
Headboard Bed Frame
- Blue / Beige / Gray -
- Twin / Full / Queen -
Assembly Instructions**



LivingEssentials
Furniture

***For faster service:
Please contact Living Essentials
Regarding any defective product(s) / Part(s).***

***Our Customer Service Representative will assist you
through the process of obtaining replacement part(s) .***

***Visit our website and fill out the Parts & Service Form,
Give us a call, or email us for replacement parts at:***

**1-888-818-8789
rma@livingess.com**

LIVING ESSENTIALS
1040 Walnut Ave.
Pomona, CA 91766
Attention: Customer Service Department

Limited Warranty

LIVING ESSENTIALS' products are warranted to be free from defects in material and workmanship for a period of ONE YEAR: One-year warranty from date of original purchase by consumer. If you believe your product is defective, please call, write, or e-mail our customer service department.

Should your product be defective, LIVING ESSENTIALS will help in issuing replacement parts. Whether you call or write, please have your model number and reference number located on the original packaging ready for our customer service team. You will be asked to tell us what product you have, along with the date of purchase and the way you believe the product is defective. For any parts request, it must include images of the defective part/s. Please do not ship your product back to us unless we specifically request you to do so. If it is necessary for your product to be returned, all returns or exchanges must be made through the original store of purchase. Proof of purchase must accompany the returned product. LIVING ESSENTIALS is not responsible for any store policies for returns or exchanges.

Note: This Warranty does NOT apply to any wear and tear. All replacement parts will be shipped standard ground service. NO EXPEDITED Service available (for example; next day air, 2 day air service, 3 day air), there will NOT be any exceptions.

LIVING ESSENTIALS is not responsible for any consequential damages, which may arise out of the purchase, or use of any of our product/s. LIVING ESSENTIALS is not responsible for any personal injury, or property/equipment damage from the use of such product/s. LIVING ESSENTIALS' liability for any breach of warranty shall be limited to replacement of the defective parts as described above.

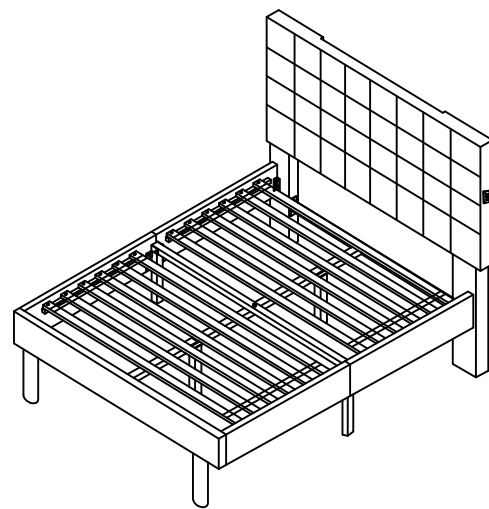
Important: Some states do not allow the exclusions or limitations so the above limitations or exclusions may not apply to you.

Copyright by: LIVING ESSENTIALS and its affiliates

Living Essentials

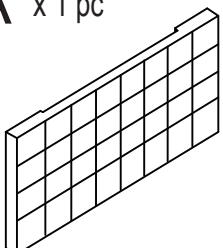
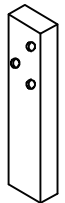
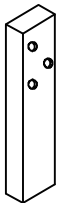
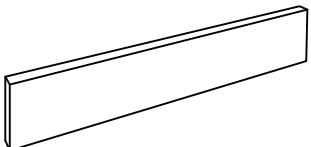
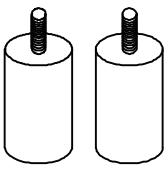
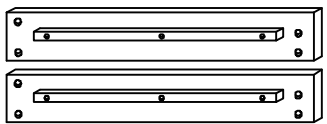
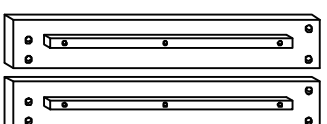
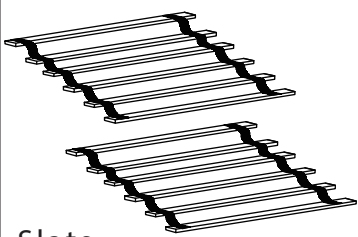
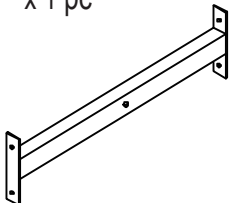
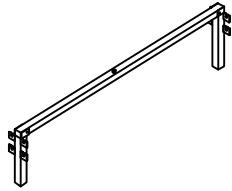
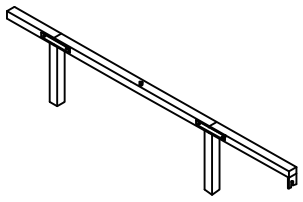
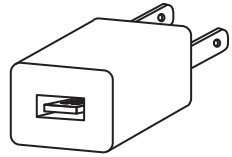
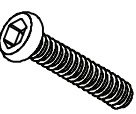
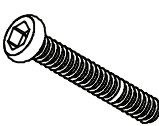

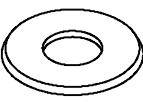
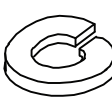

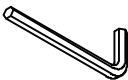
Furniture

Instructions / Instrucciones / Moded' emploi

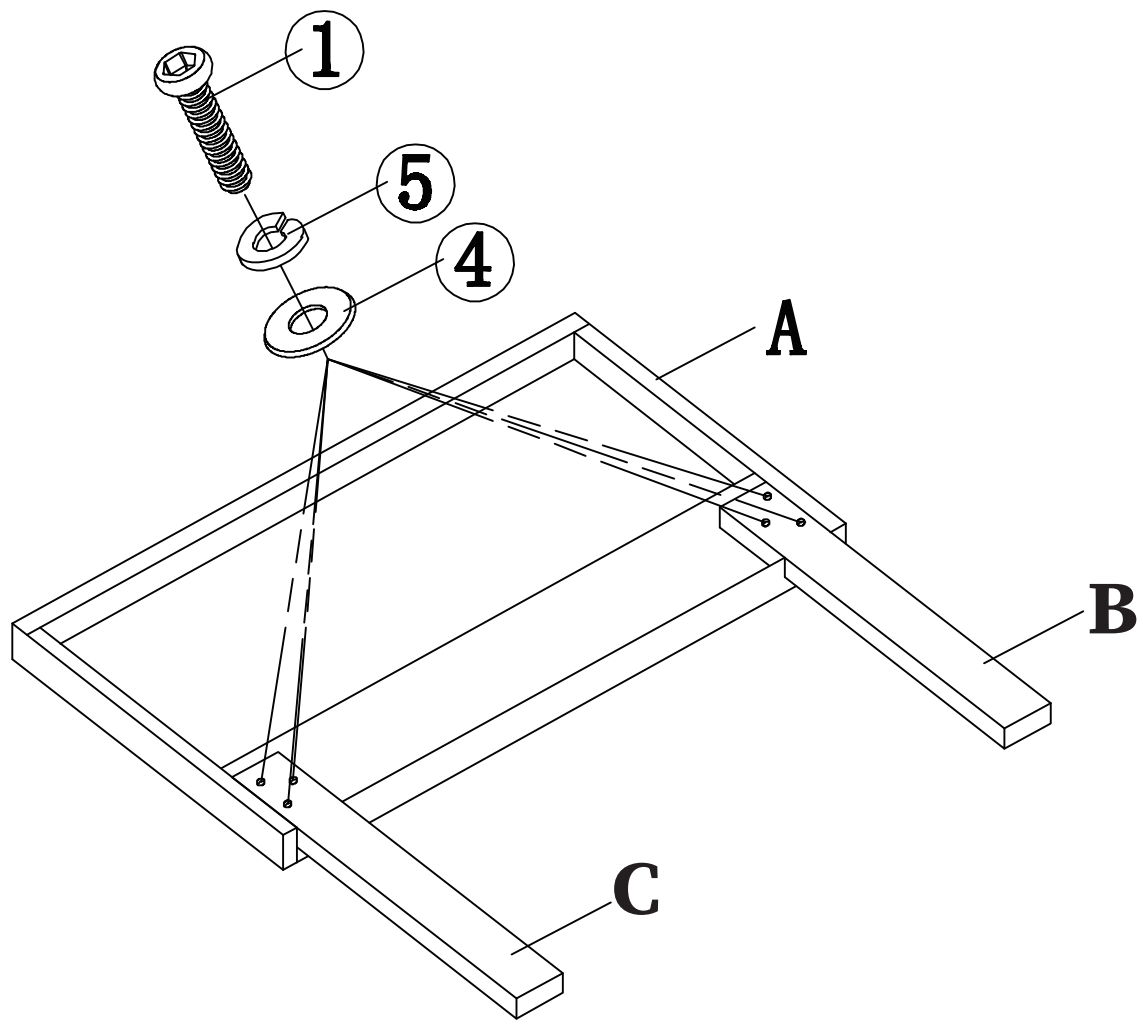


Madison Tufted Upholstered Bed Frame

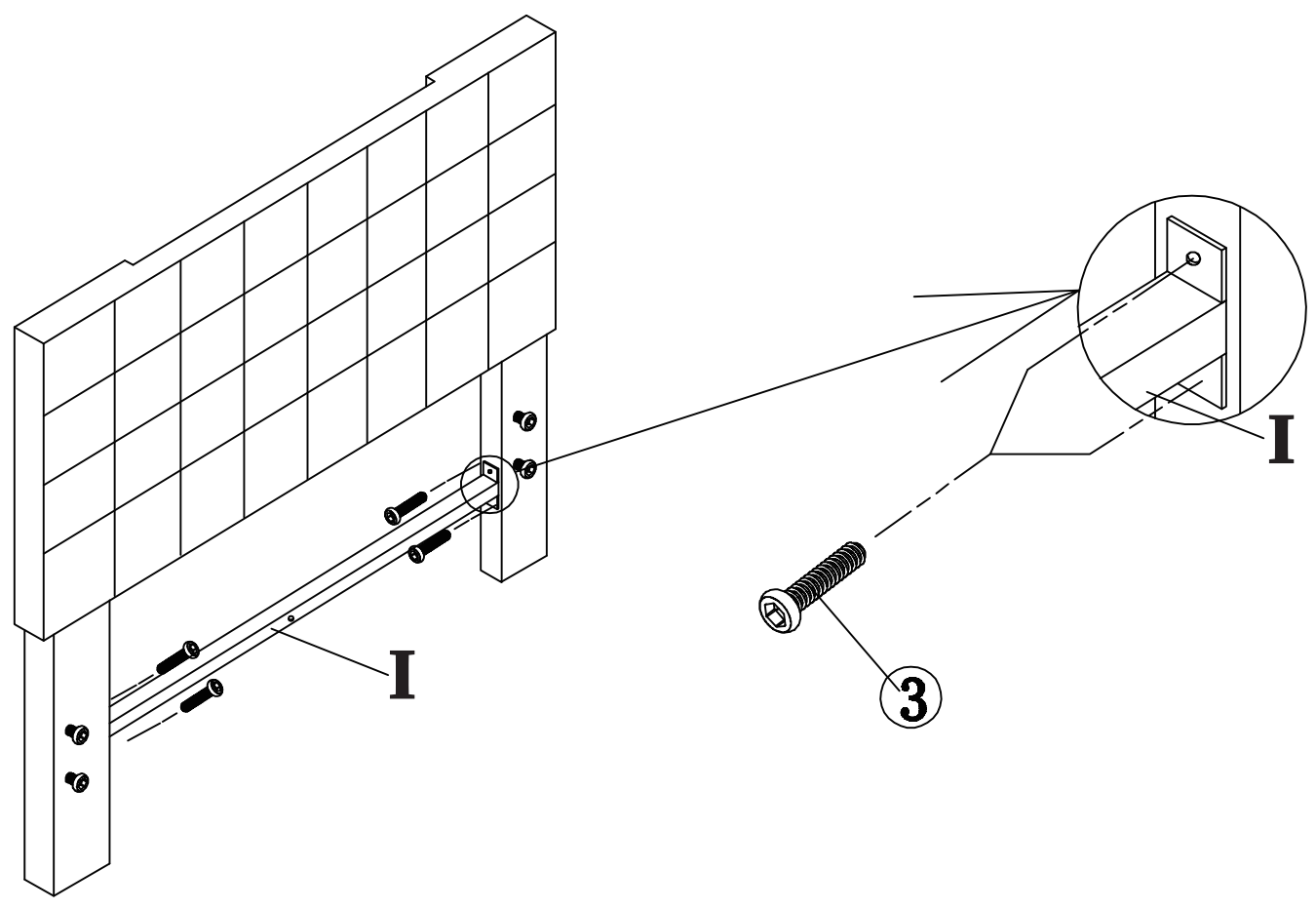
Dark Blue:	Beige	Gray:
Twin: BBFDB01TW	Twin: BBFBG01TW	Twin: BBFGY01TW
Full: BBFDB01FL	Full: BBFBG01FL	Full: BBFGY01FL
Queen: BBFDB01QN	Queen: BBFBG01QN	Queen: BBFGY01QN

<p>A x 1 pc</p>  <p>Headboard</p>	<p>B x 1 pc</p>  <p>Bed Posts (Right)</p>	<p>C x 1 pc</p>  <p>Bed Posts (Left)</p>	<p>D x 1 pc</p>  <p>Footboard</p>			
<p>E x 2 pc</p>  <p>Legs</p>	<p>F x 2 pc</p>  <p>Left Side Rails</p>	<p>G x 2 pc</p>  <p>Right Side Rails</p>	<p>H x 12 pcs</p>  <p>Slats</p>			
<p>I x 1 pc</p>  <p>Side Slat</p>	<p>J x 1 pc</p>  <p>Middle Slat</p>	<p>K x 1 pc</p>  <p>Middle Leg</p>	<p>L X 1 pcs</p>  <p>usb power adapter</p>			
<p>1 x 6 pc</p>  <p>M8*40mm</p>	<p>2 x 2pc</p>  <p>M8*50mm</p>	<p>3 x 4 pc</p>  <p>M6*15mm</p>	<p>4 x 6 pc</p>  <p>Flat Washer</p>	<p>5 x 6 pc</p>  <p>Spring Washer</p>	<p>6 x 1 pc</p>  <p>Allen 5mm</p>	<p>7 x 1 pc</p>  <p>Allen 4mm</p>

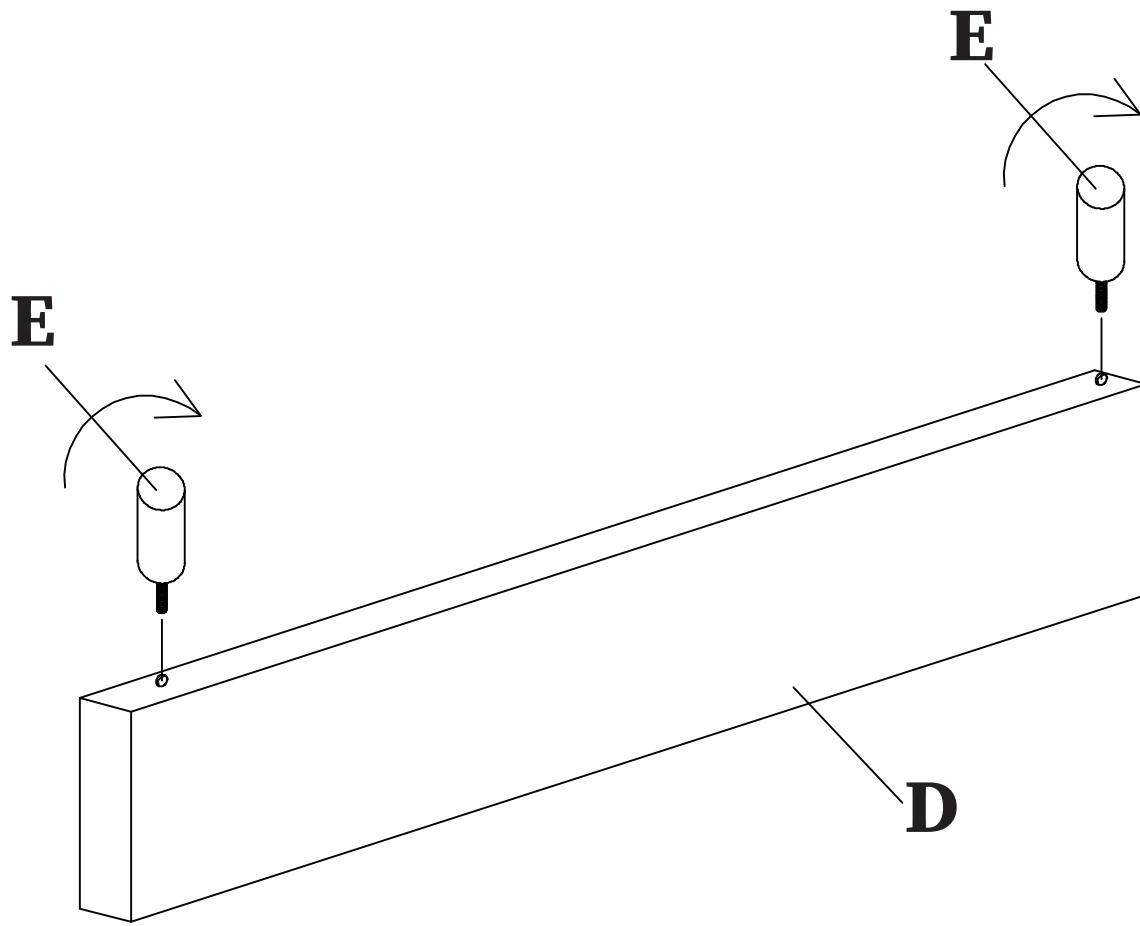
1



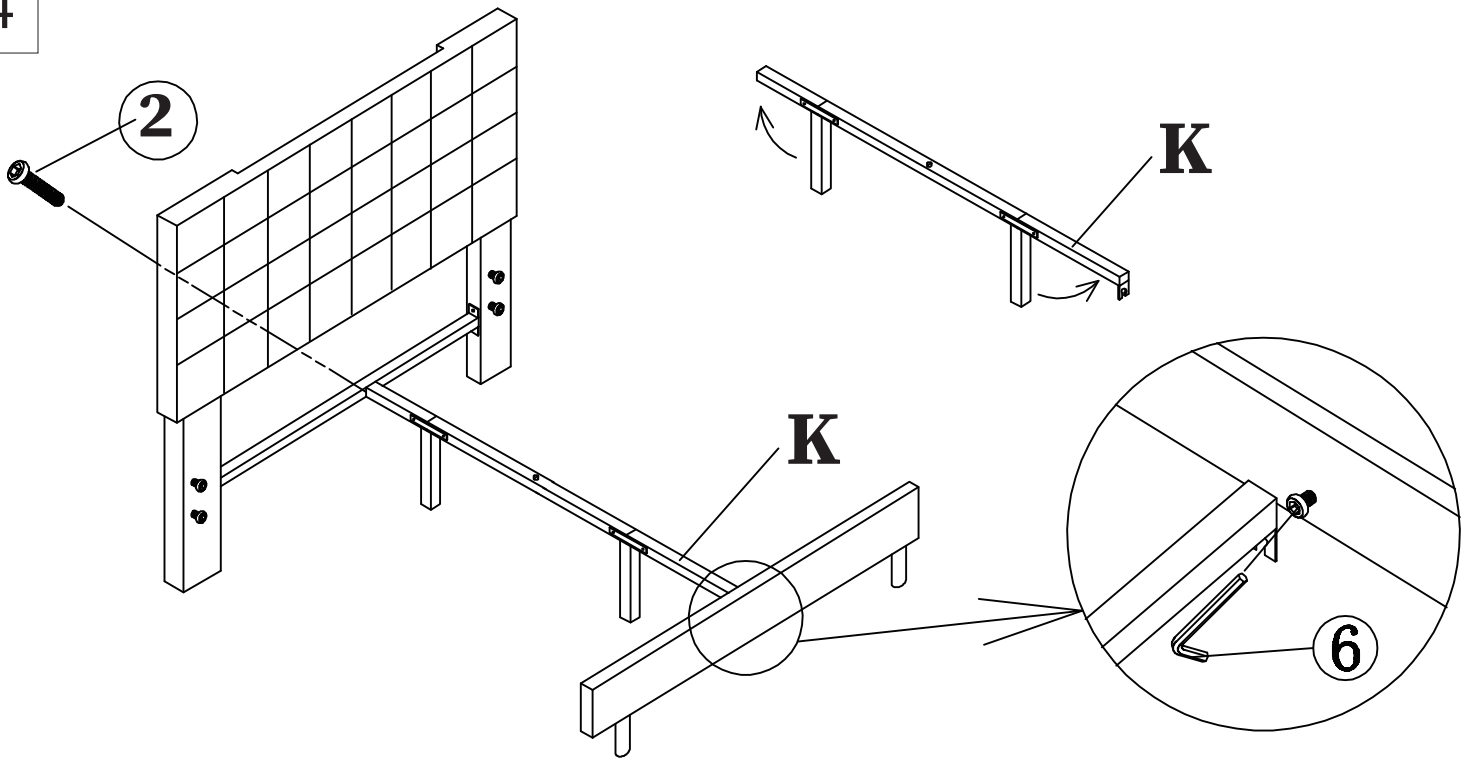
2



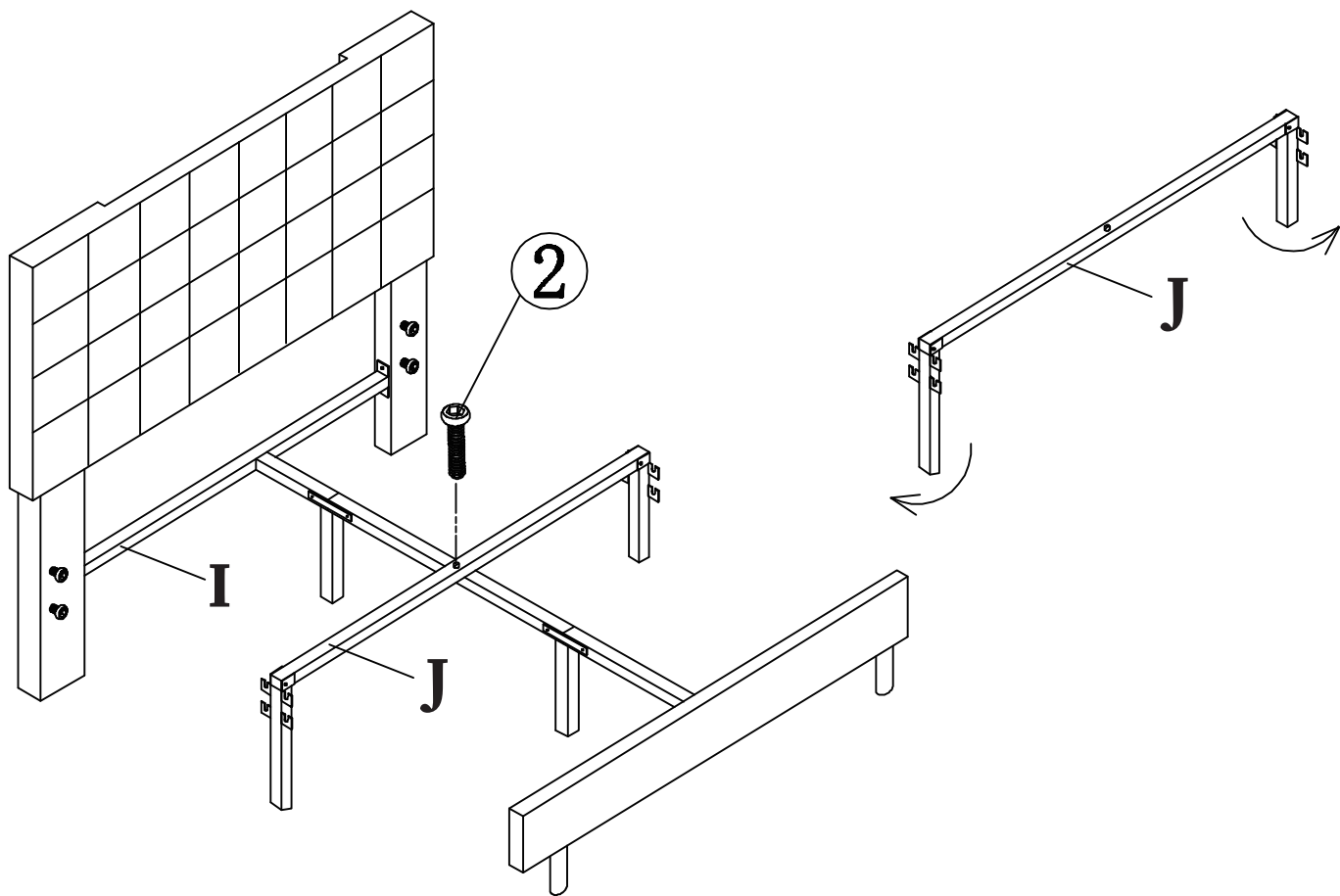
3



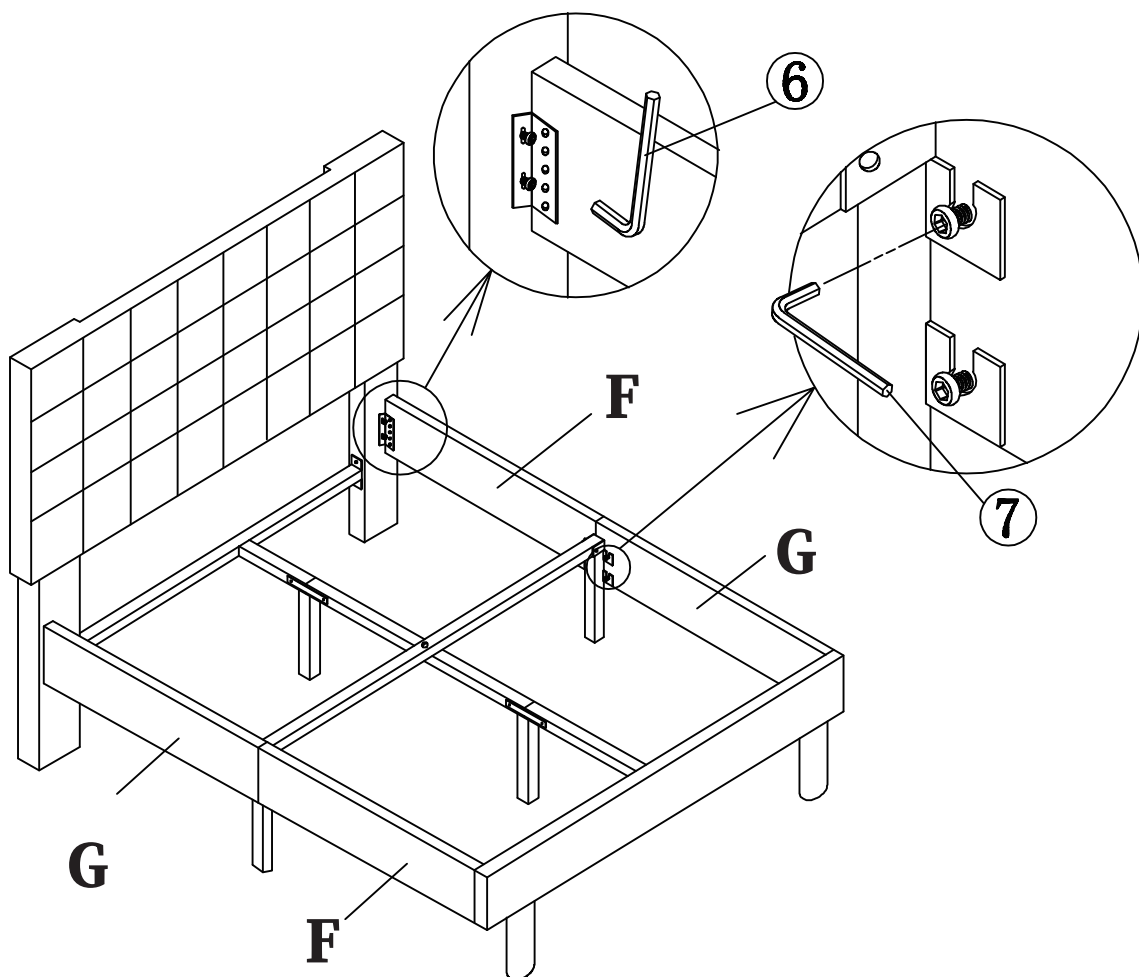
4



5



6

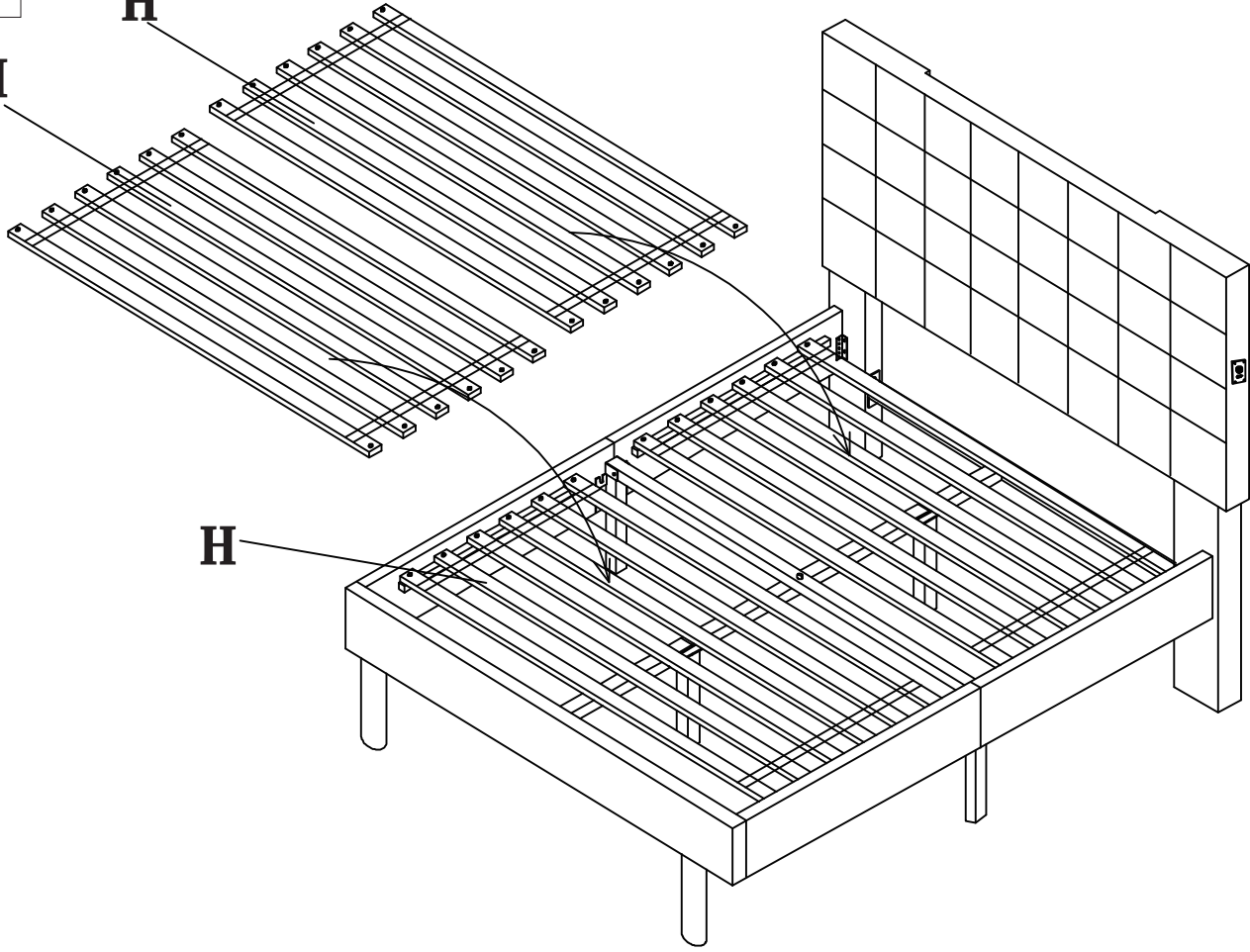


7

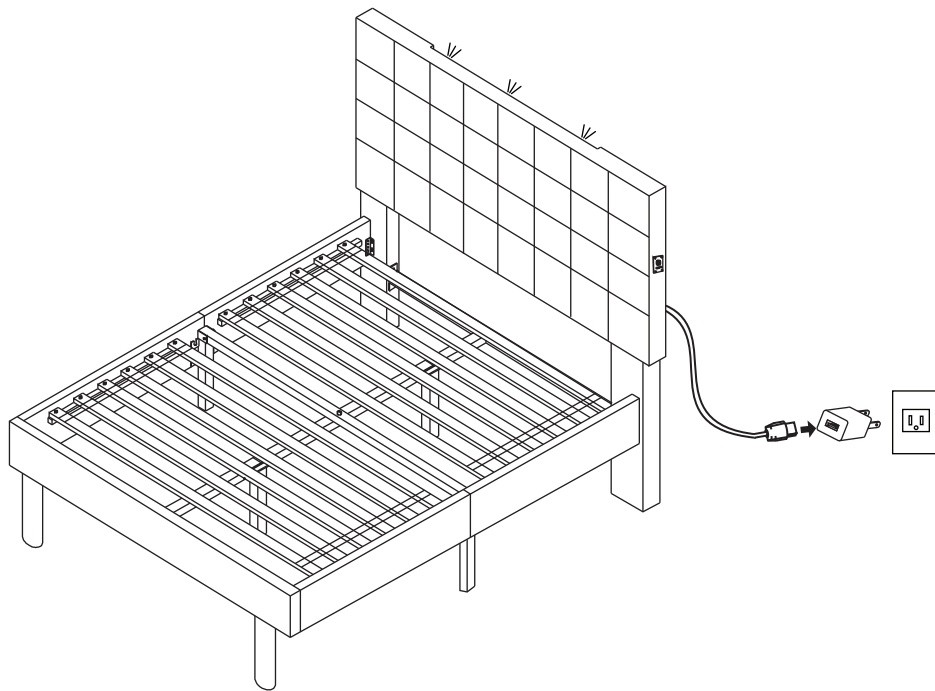
H

H

H



8



Connect the USB Cord to the power brick and then plug into power socket as shown above.